



504-362-0781 or 800-889-0781

2236 Manhattan Blvd. Harvey, LA 70058 Fax: 504-367-4216

Solar Powered Navigation Lights - Model 701

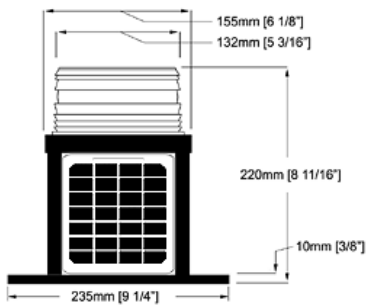
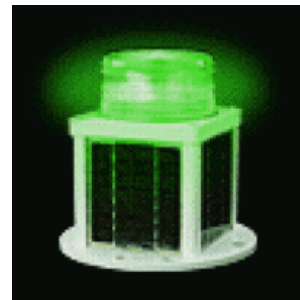
Model 701

Up to three nautical miles (5.4 kilometers)

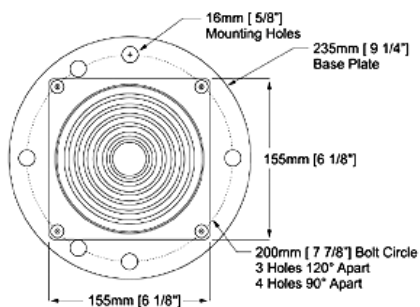
The 701 is the world's most advanced, solar-powered LED navigation light for up to three nautical miles of visibility. It installs in minutes, is completely self-contained and requires no maintenance or servicing for the life of its power storage pack (up to 5 years)

The 701 is the smaller and lighter version of the two models available in the 700 Series, it is intended for use in regions where solar illumination is greater than 1.5 hours of winter sunlight.

Specifications for Model 701



Side View



Top View