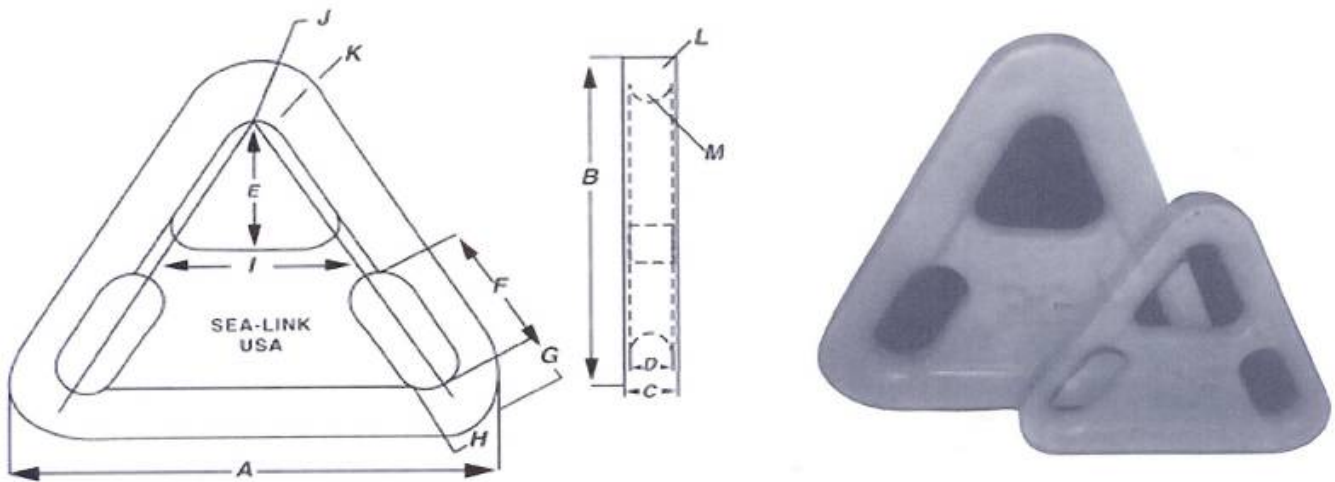




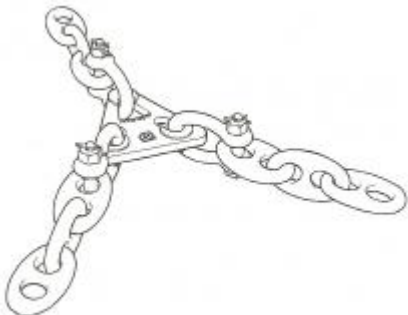
504-362-0781 or 800-889-0781
 2236 Manhattan Blvd. Harvey, LA 70058 Fax: 504-367-4216

Alloy Towing Plate

Sea-Link™



TOWING PLATE SPECIFICATIONS AND DIAGRAM OF USE



No. 1	No. 2	No. 3	
No. 1	No. 2	No. 3	
1-1/2", 1-3/4", 2 2-1/4", 2-1/2", 3"	3-1/2", 4"		Shackle Sizes
17-1/2" x 16"	22-1/2" x 23-1/2"	31" x 31-1/2"	Dimensions

No. 1	No. 2	No. 3	
70 lbs	170 lbs	548 lbs	Weight
300,000 lbs	485,000 lbs	624,000 lbs	Pull Test Capacity

Plate	Shackle Size	A	B	C	D	E	F	G	H	I	J	K	L	M	Weight in lbs.	Proof Load in lbs.
Plate	Shackle Size	A	B	C	D	E	F	G	H	I	J	K	L	M	Weight in lbs.	Proof Load in lbs.
No. 1	1-1/2"-2"	17-1/2"	16"	2-1/4"	1-3/4"	5-1/2"	5-3/8"	2"	2-1/4"	6"	2-1/2"	1"	1/4"	2-1/4"	65	300,000
No. 2	2-1/4"-3"	22-1/2"	23"	3"	2"	7"	7"	3"	3-1/4"	7"	4"	1-1/2"	3/8"	3"	165	485,000
No. 3	3-1/2"-4"	31"	31"	4"	3"	10"	10"	4"	4-3/8"	10"	6"	2"	3-8"	4"	550	624,000